

Cooker hob KE Black



Gas hobs

Code: 7600 666



DETAILS

Edge/Installation Type Flush-mount | Top-mount

Finish Foster brushed

Material AISI 304 stainless steel

Texture Brushed in line

Supply 220-240 V; 50/60 Hz

Dimensions 803x513 mm

Base size 80 cm

Heating element Five burners

Built-in hole [View technical data sheet](#)

Grids	Cast iron grills, Gun metal burners and enamelled burner covers
Width	80 cm
Total power	9.500 W
Auxiliary	2x1.100 W
Semirapid	2x1.750 W
Triple crown	3.800 W
Safety	Safety valve with quick-acting thermocouple
Ignition	Electric ignition under knob
Gas type	Tested for installation with natural gas, LPG nozzle set included.
Type	Gas Hob

FEATURES

Cast iron grids	Cast-iron is the ideal material for an hob grid, this due to the manifold properties characterising it: high heat capacity that improves cooking performance; high weight and stability that improve safety; sturdiness that preserves the hob's original aspect over time; easy cleaning.
lil series burners	lil ^ series burners: 20% gas savings. They guarantee an efficiency well above the European standards. Furthermore, the improved combustion of gas allows the development of higher powers. From the point of view of safety, the blocking system between the cover and the flame-spreader guarantees perfect positioning and greater ease of cleaning.

Inclined recess

A deep and inclined recess houses the burners and grigs, allowing to create a single work surface. The inclination also makes it extremely easy to clean the edges.

Safe cooking

All Foster cooker hobs are equipped with safety valves. They shut off the gas supply very quickly if the flame accidentally goes out.

Special burners

Many Foster hobs are equipped with special burners, with two or three rings of fire that greatly increase the power delivered and the heated surface. In the DUAL models the two fire crowns also have independent ignition, making these burners perfect for both intensive and delicate cooking.

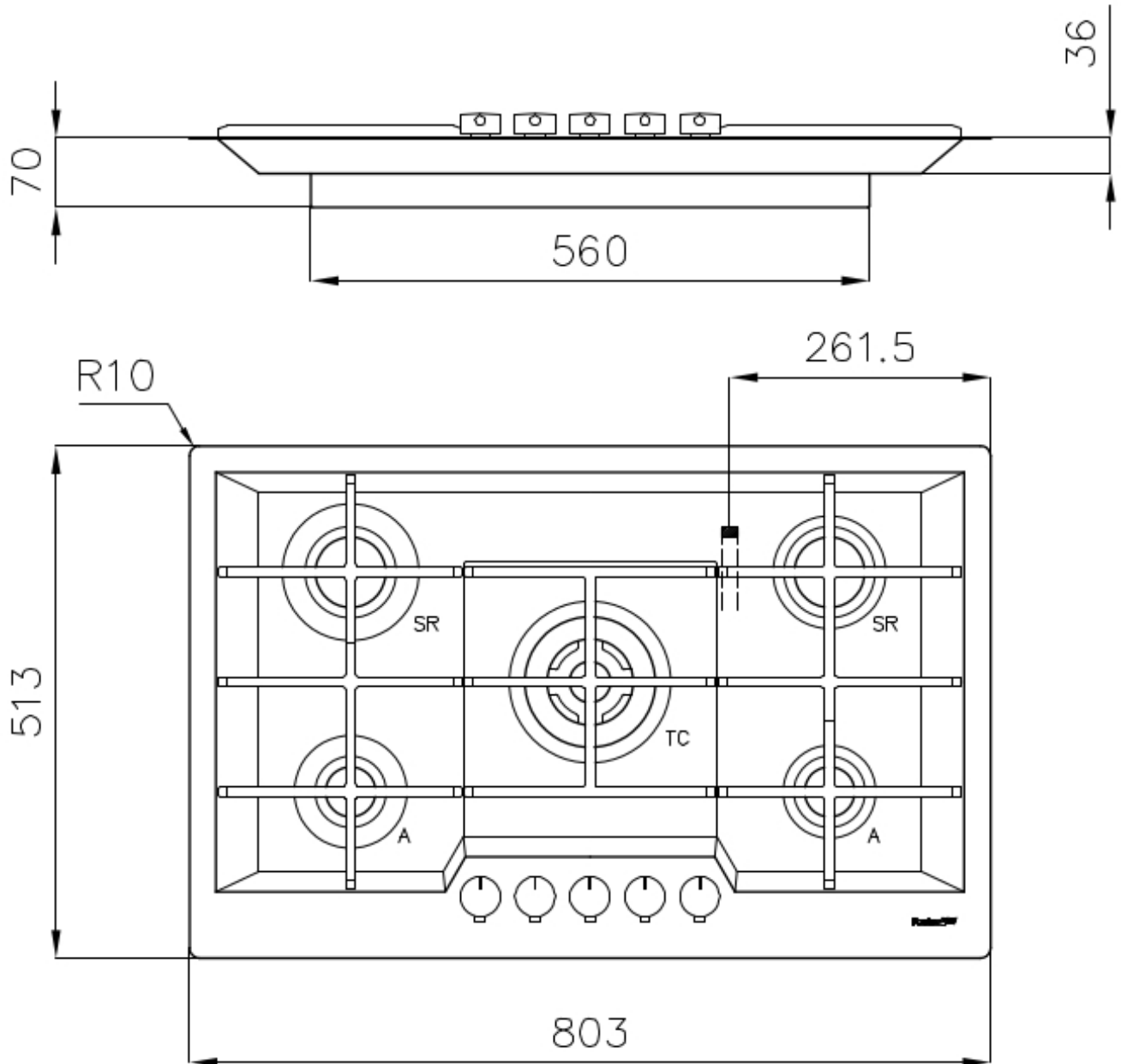
Ultra-flat hob

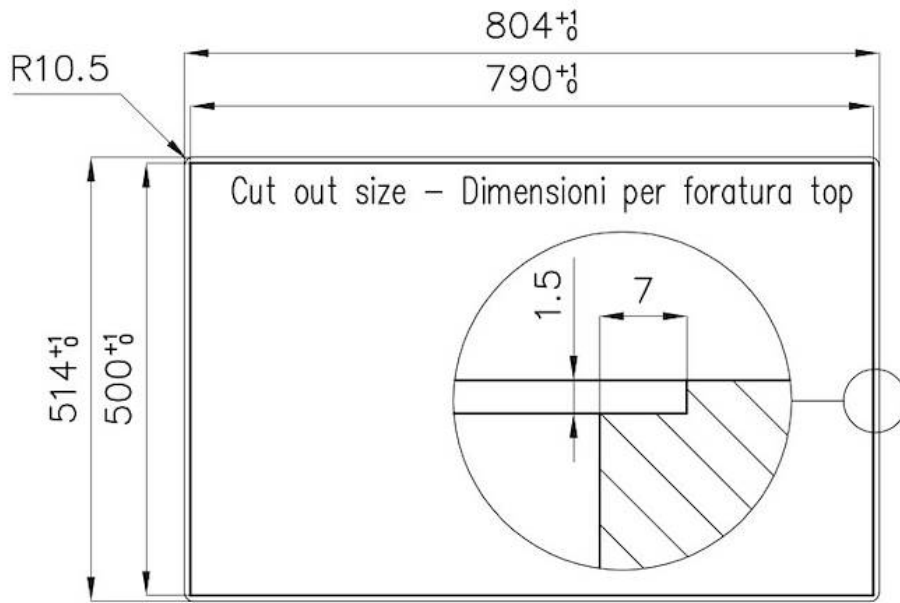
Design meets functionality in the the ultra-flat models. Elegant grids that form a generously sized overall surface.

Under-knob ignition

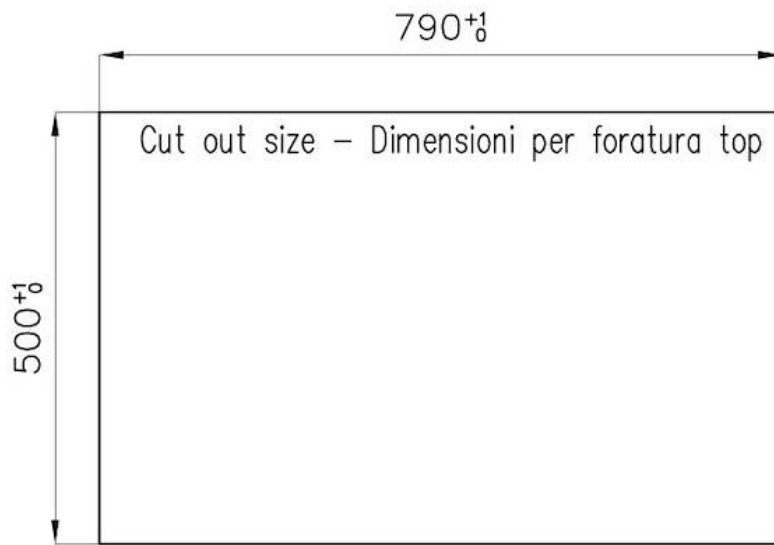
The utmost freedom of movement with electronic under-knob ignition, a common feature of all models that allows a one-hand ignition of the burner.

TECHNICAL DATA





FT



FTS

GALLERY



OPTIONAL ACCESSORIES



Cast iron wok support
9601 727

RECOMMENDED PAIRINGS



Hood Amélie
2447 090



Sink bowl KE Filotop
2157 050